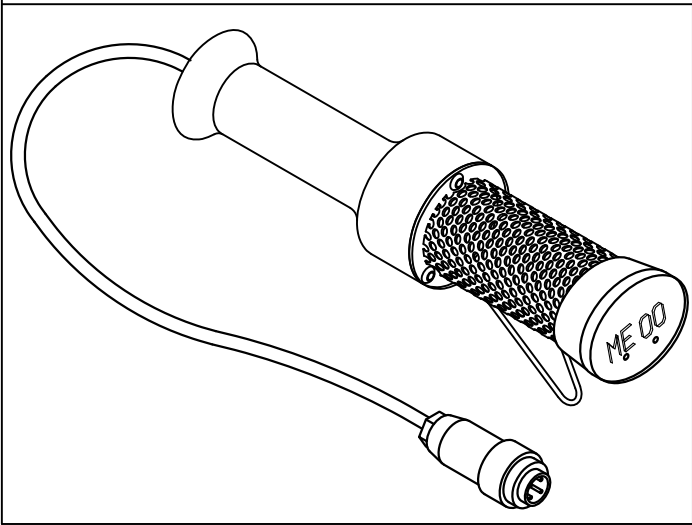
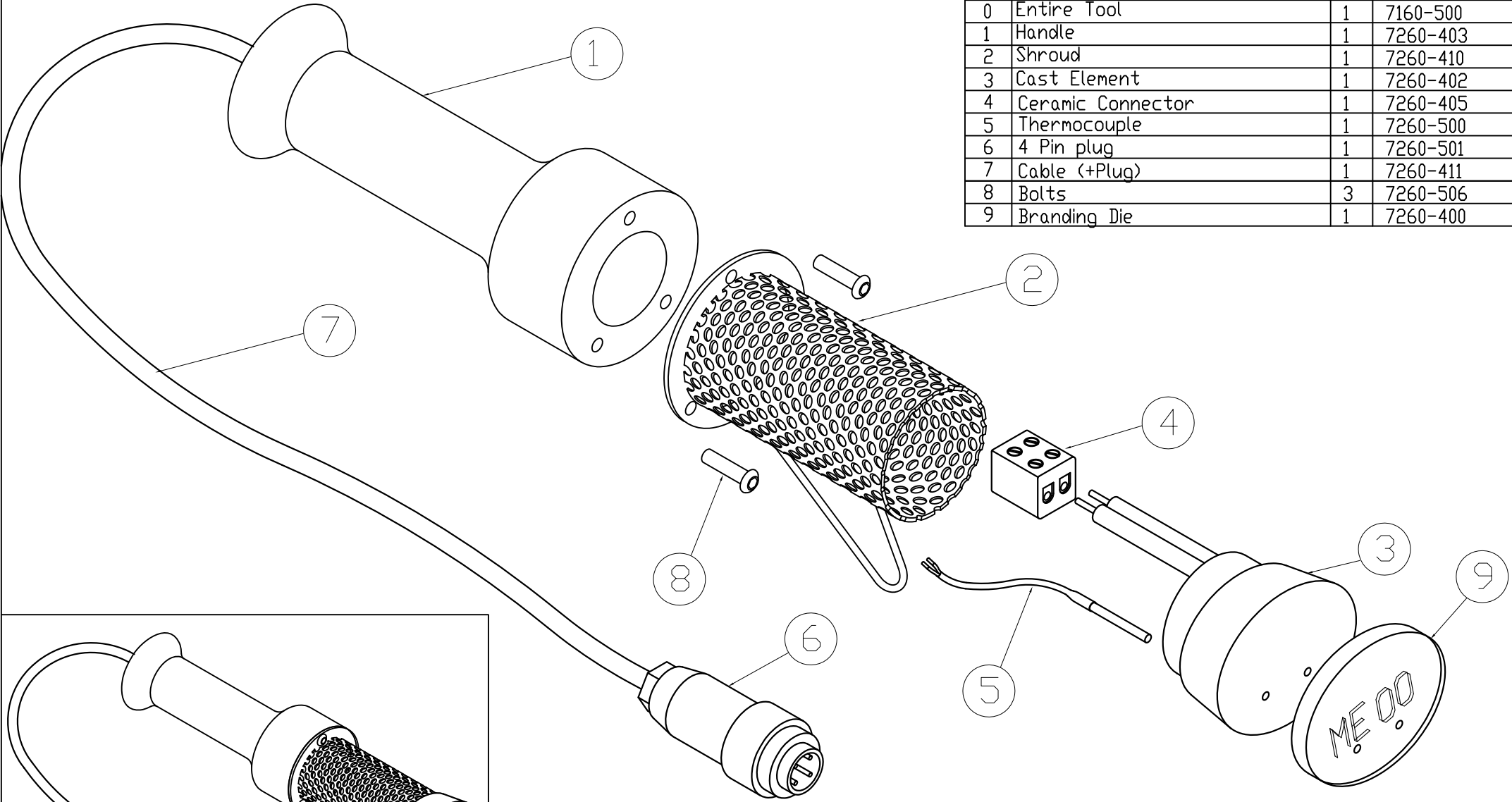


PARTS LIST HOT BRANDER

Item	Description	Qty	Jarvis Part No.
0	Entire Tool	1	7160-500
1	Handle	1	7260-403
2	Shroud	1	7260-410
3	Cast Element	1	7260-402
4	Ceramic Connector	1	7260-405
5	Thermocouple	1	7260-500
6	4 Pin plug	1	7260-501
7	Cable (+Plug)	1	7260-411
8	Bolts	3	7260-506
9	Branding Die	1	7260-400

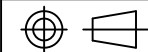


**JARVIS** ENGINEERING TECH.  
 PO BOX 45-011 Te Atatu  
 Auckland, New Zealand.

TITLE			
HOT BRANDER			
DRAWN	BM	SCALE	DATE
MATERIAL			
FINISH	DWG NO		

Do Not SCALE

All Measurements in mm  
 Unless otherwise Stated



QTY. REQ. 1 Per Unit

THIS DOCUMENT IS THE PROPERTY OF JARVIS ENGINEERING (NZ) LIMITED AND IS DELIVERED ON THE EXPRESS CONDITION THAT IT AND THE INFORMATION CONTAINED IN IT ARE NOT TO BE USED, DISCLOSED, OR REPRODUCED IN WHOLE OR IN PART, FOR ANY PURPOSE WITHOUT THE EXPRESS WRITTEN CONSENT OF JARVIS ENGINEERING (NZ) LIMITED; AND THAT NO RIGHT IS GRANTED TO DISCLOSE OR SO USE ANY INFORMATION CONTAINED IN SAID DOCUMENT.