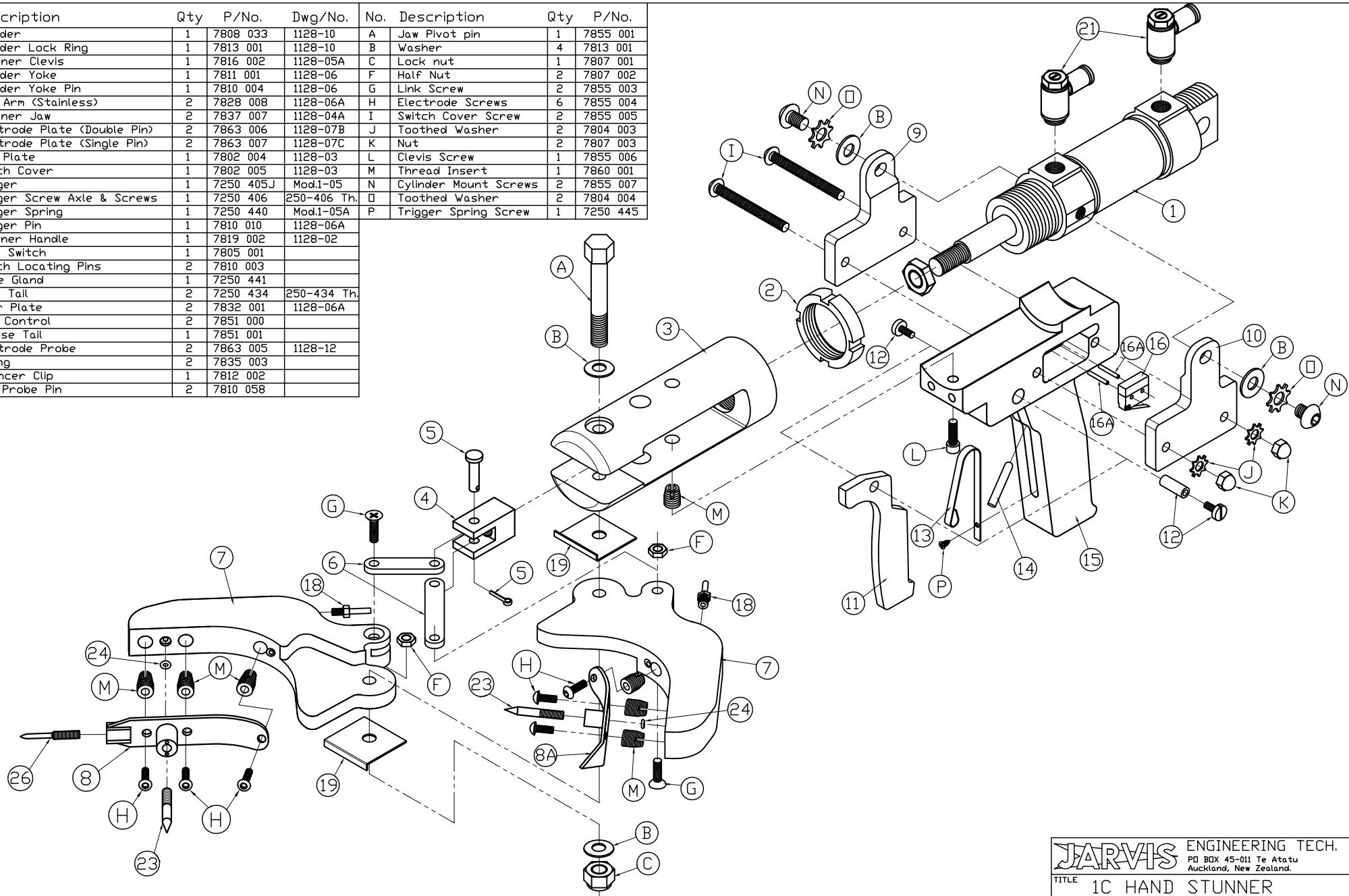


No.	Description	Qty	P/No.	Dwg/No.	No.	Description	Qty	P/No.
1	Cylinder	1	7808 033	1128-10	A	Jaw Pivot pin	1	7855 001
2	Cylinder Lock Ring	1	7813 001	1128-10	B	Washer	4	7813 001
3	Stunner Clevis	1	7816 002	1128-05A	C	Lock nut	1	7807 001
4	Cylinder Yoke	1	7811 001	1128-06	F	Half Nut	2	7807 002
5	Cylinder Yoke Pin	1	7810 004	1128-06	G	Link Screw	2	7855 003
6	Link Arm (Stainless)	2	7828 008	1128-06A	H	Electrode Screws	6	7855 004
7	Stunner Jaw	2	7837 007	1128-04A	I	Switch Cover Screw	2	7855 005
8	Electrode Plate (Double Pin)	2	7863 006	1128-07B	J	Toothed Washer	2	7804 003
8A	Electrode Plate (Single Pin)	2	7863 007	1128-07C	K	Nut	2	7807 003
9	Side Plate	1	7802 004	1128-03	L	Clevis Screw	1	7855 006
10	Switch Cover	1	7802 005	1128-03	M	Thread Insert	1	7860 001
11	Trigger	1	7250 405J	Mod.1-05	N	Cylinder Mount Screws	2	7855 007
12	Trigger Screw Axle & Screws	1	7250 406	250-406 Th.	□	Toothed Washer	2	7804 004
13	Trigger Spring	1	7250 440	Mod.1-05A	P	Trigger Spring Screw	1	7250 445
14	Trigger Pin	1	7810 010	1128-06A				
15	Stunner Handle	1	7819 002	1128-02				
16	Stun Switch	1	7805 001					
16A	Switch Locating Pins	2	7810 003					
17	Cable Gland	1	7250 441					
18	Hose Tail	2	7250 434	250-434 Th.				
19	Wear Plate	2	7832 001	1128-06A				
21	Flow Control	2	7851 000					
22	Y Hose Tail	1	7851 001					
23	Electrode Probe	2	7863 005	1128-12				
24	□-Ring	2	7835 003					
25	Balancer Clip	1	7812 002					
26	Hilti Probe Pin	2	7810 058					



THIS DOCUMENT IS THE PROPERTY OF JARVIS ENGINEERING (NZ) LIMITED AND IS DELIVERED ON THE EXPRESS CONDITION THAT IT AND THE INFORMATION CONTAINED IN IT ARE NOT TO BE USED, DISCLOSED, OR REPRODUCED IN WHOLE OR IN PART, FOR ANY PURPOSE WITHOUT THE EXPRESS WRITTEN CONSENT OF JARVIS ENGINEERING (NZ) LIMITED; AND THAT NO RIGHT IS GRANTED TO DISCLOSE OR SO USE ANY INFORMATION CONTAINED IN SAID DOCUMENT.

ALL RIGHTS RESERVED ©

Do Not SCALE
 All Measurements in mm
 Unless otherwise Stated

QTY. RD. 1 Per Unit

JARVIS ENGINEERING TECH.
 PO BOX 45-011 Te Atatu
 Auckland, New Zealand.

TITLE
1C HAND STUNNER
 Parts List

DRAWN	BM	SCALE	DATE
MATERIAL			8/5/14
FINISH		DWG NO	1C-Parts-1